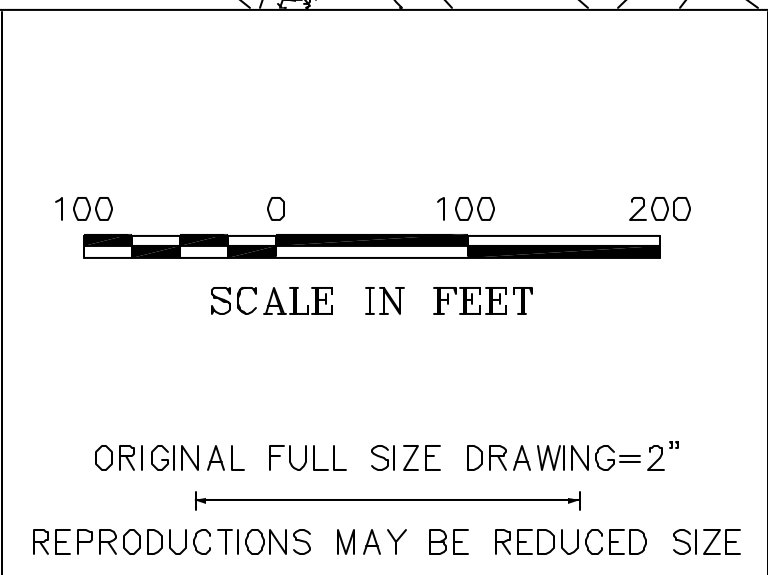




REVISED AND REPRINTED BY
CARTOGRAPHIC ASSOC. INC.
 PROFESSIONAL GIS CONSULTANTS
 MUNICIPAL MAPPING - GIS - PUBLIC WORKS INFORMATION MANAGEMENT
 11 PLEASANT STREET, LITTLETON, NEW HAMPSHIRE 03561
 (603)444-6768 - 1(800)322-4540 - FAX (603)444-1366 - WWW.CAI-INFO.COM

THIS MAP IS FOR ASSESSMENT PURPOSES ONLY. IT IS NOT VALID FOR LEGAL DESCRIPTION OR CONVEYANCE. PARCELS AS SHOWN MAY REFLECT TOTAL CONTIGUOUS ACREAGE OWNED BY ONE OWNER FOR TAX BILLING PURPOSES.
 THE HORIZONTAL DATUM IS THE MASSACHUSETTS STATE PLANE COORDINATE SYSTEM.
 COMPLETION DATE: DECEMBER 29, 1989
 REVISION DATE: JANUARY 1, 2009

LEGEND SYMBOLS	
PARCEL NUMBER	162
TOWN LINE	---
RIGHT OF WAY	----
EASEMENT	- - - -
PATH	----
SCHOOL	1
CHURCH	+
CEMETERY	⊥
STREAM	~~~~~
CRANBERRY BOG	
POND	○
WETLAND	⊞



INDEX		
40	41	42
50	51	52
0	60	61

ASSESSORS MAP
TOWN OF KINGSTON
 MASSACHUSETTS
 REVISED BY
 Cartographic Assoc. 2009
 Cartographic Assoc. 2008
 Cartographic Assoc. 2007
 MAP NO.
51