

SILVER LAKE

PLYMPTON



REVISED AND REPRINTED BY
CARTOGRAPHIC ASSOC. INC.
 PROFESSIONAL GIS CONSULTANTS
 MUNICIPAL MAPPING - GIS - PUBLIC WORKS INFORMATION MANAGEMENT
 11 PLEASANT STREET, LITTLETON, NEW HAMPSHIRE 03561
 (603)444-6768 - 1(800)322-4540 - FAX (603)444-1366 - WWW.CAI-INFO.COM

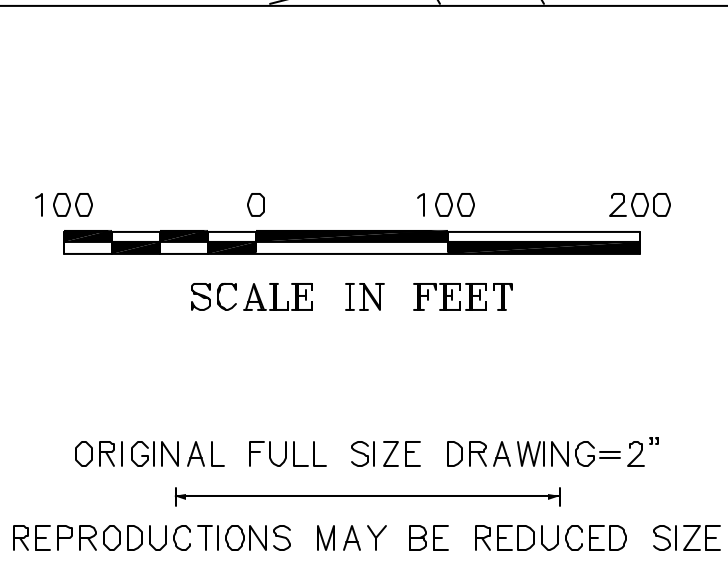
THIS MAP IS FOR ASSESSMENT PURPOSES ONLY. IT IS NOT VALID FOR LEGAL DESCRIPTION OR CONVEYANCE. PARCELS AS SHOWN MAY REFLECT TOTAL CONTIGUOUS ACREAGE OWNED BY ONE OWNER FOR TAX BILLING PURPOSES.

THE HORIZONTAL DATUM IS THE MASSACHUSETTS STATE PLANE COORDINATE SYSTEM.

COMPLETION DATE: DECEMBER 29, 1989

REVISION DATE: JANUARY 1, 2008

LEGEND SYMBOLS	
PARCEL NUMBER	162
TOWN LINE	---
RIGHT OF WAY	----
EASEMENT	- - - -
PATH	----
SCHOOL	■
	CHURCH
	CEMETERY
	STREAM
	CRANBERRY BOG
	POND
	WETLAND



INDEX		
0	14	15
0	21	22
0	30	31

ASSESSORS MAP
TOWN OF KINGSTON
 MASSACHUSETTS

REVISED BY
 Cartographic Assoc. 2008
 Cartographic Assoc. 2006
 Cartographic Assoc. 2004

MAP NO.
21