



REVISED AND REPRINTED BY

CARTOGRAPHIC ASSOC. INC.

PROFESSIONAL GIS CONSULTANTS
 MUNICIPAL MAPPING - GIS - PUBLIC WORKS INFORMATION MANAGEMENT
 11 PLEASANT STREET, LITTLETON, NEW HAMPSHIRE 03561
 (603)444-8768 - 1(800)322-4540 - FAX (603)444-1366 - WWW.CAI-INFO.COM

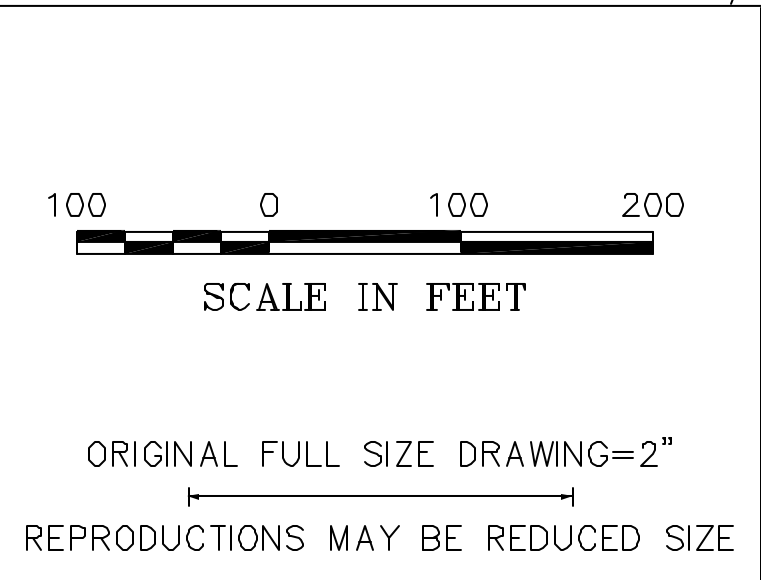
THIS MAP IS FOR ASSESSMENT PURPOSES ONLY. IT IS NOT VALID FOR LEGAL DESCRIPTION OR CONVEYANCE. PARCELS AS SHOWN MAY REFLECT TOTAL CONTIGUOUS ACREAGE OWNED BY ONE OWNER FOR TAX BILLING PURPOSES.

THE HORIZONTAL DATUM IS THE MASSACHUSETTS STATE PLANE COORDINATE SYSTEM.

COMPLETION DATE: DECEMBER 29, 1989

REVISION DATE: JANUARY 1, 2004

LEGEND SYMBOLS	
PARCEL NUMBER	162
TOWN LINE	---
RIGHT OF WAY	----
EASEMENT	----
PATH	----
SCHOOL	■
CHURCH	+
CEMETERY	⊥
STREAM	~
CRANBERRY BOG	⊖
POND	○
WETLAND	⊖



INDEX		
11	12	13
18	19	20
25	26	27

ASSESSORS MAP

TOWN OF KINGSTON

MASSACHUSETTS

REVISED BY	MAP NO.
Cartographic Assoc. 2004	19
Cartographic Assoc. 2001	
Cartographic Assoc. 1999	