



REVISED AND REPRINTED BY

CARTOGRAPHIC ASSOC. INC.

PROFESSIONAL GIS CONSULTANTS
 MUNICIPAL MAPPING - GIS - PUBLIC WORKS INFORMATION MANAGEMENT
 11 PLEASANT STREET, LITTLETON, NEW HAMPSHIRE 03561
 (603)444-8768 - 1(800)322-4540 - FAX (603)444-1366 - WWW.CAI-INFO.COM

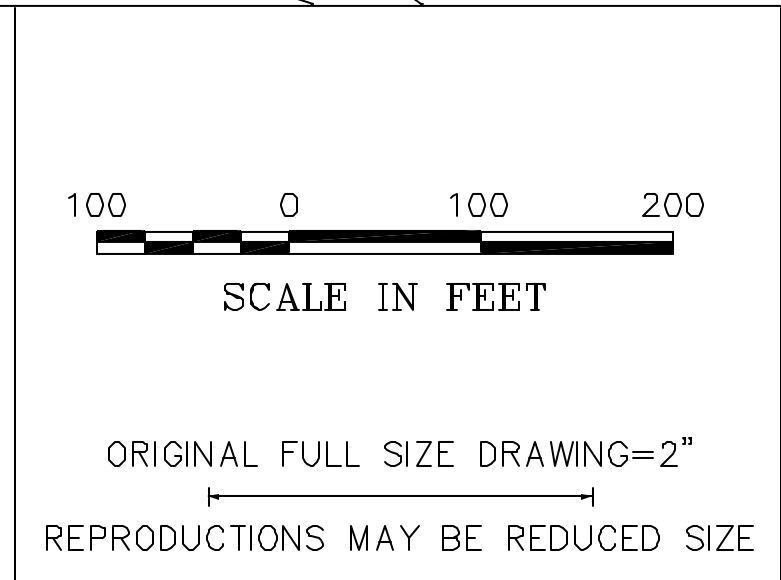
THIS MAP IS FOR ASSESSMENT PURPOSES ONLY. IT IS NOT VALID FOR LEGAL DESCRIPTION OR CONVEYANCE. PARCELS AS SHOWN MAY REFLECT TOTAL CONTIGUOUS ACREAGE OWNED BY ONE OWNER FOR TAX BILLING PURPOSES.

THE HORIZONTAL DATUM IS THE MASSACHUSETTS STATE PLANE COORDINATE SYSTEM.

COMPLETION DATE: DECEMBER 29, 1989

REVISION DATE: JANUARY 1, 1999

LEGEND SYMBOLS	
PARCEL NUMBER	162
TOWN LINE	-----
RIGHT OF WAY	-----
EASEMENT	-----
PATH	-----
SCHOOL	1
CHURCH	+
CEMETERY	+
STREAM	~ ~ ~ ~
CRANBERRY BOG	~ ~ ~ ~
POND	~ ~ ~ ~
WETLAND	~ ~ ~ ~



INDEX		
0	0	0
5	6	0
11	12	13

ASSESSORS MAP

TOWN OF KINGSTON

MASSACHUSETTS

REVISED BY	MAP NO.
Cartographic Assoc. 1999	6
BTI 1997	
EARTH TECH 1996	